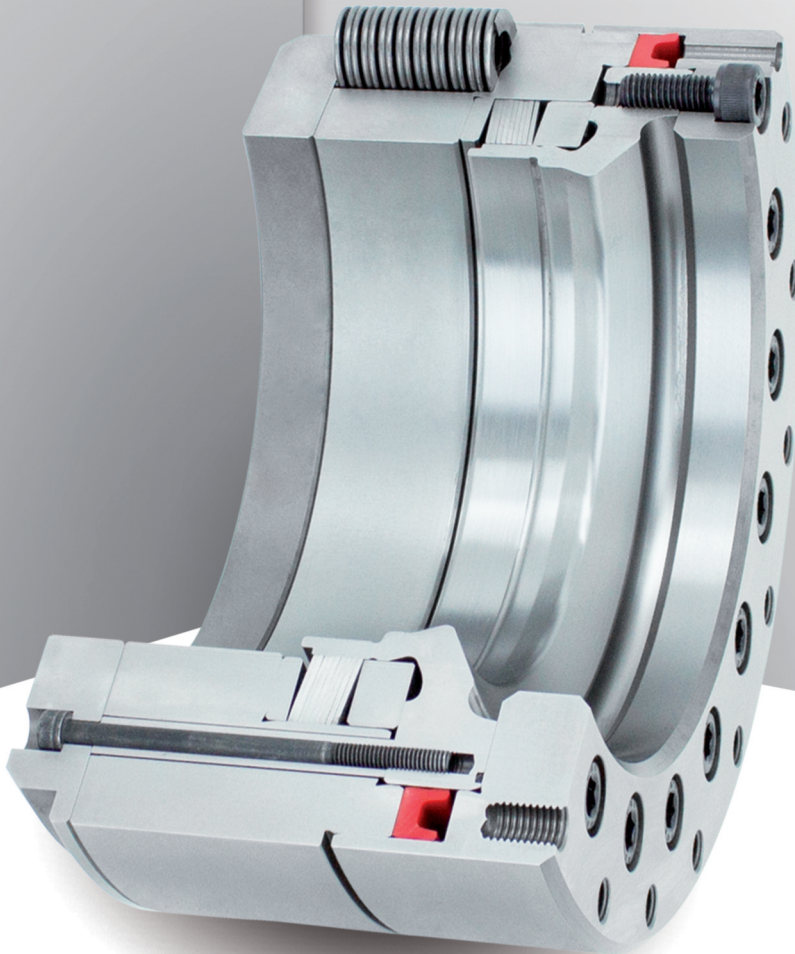


RINGSPANN®

Clamping Clutch

for clamping of rotary/swivel tables

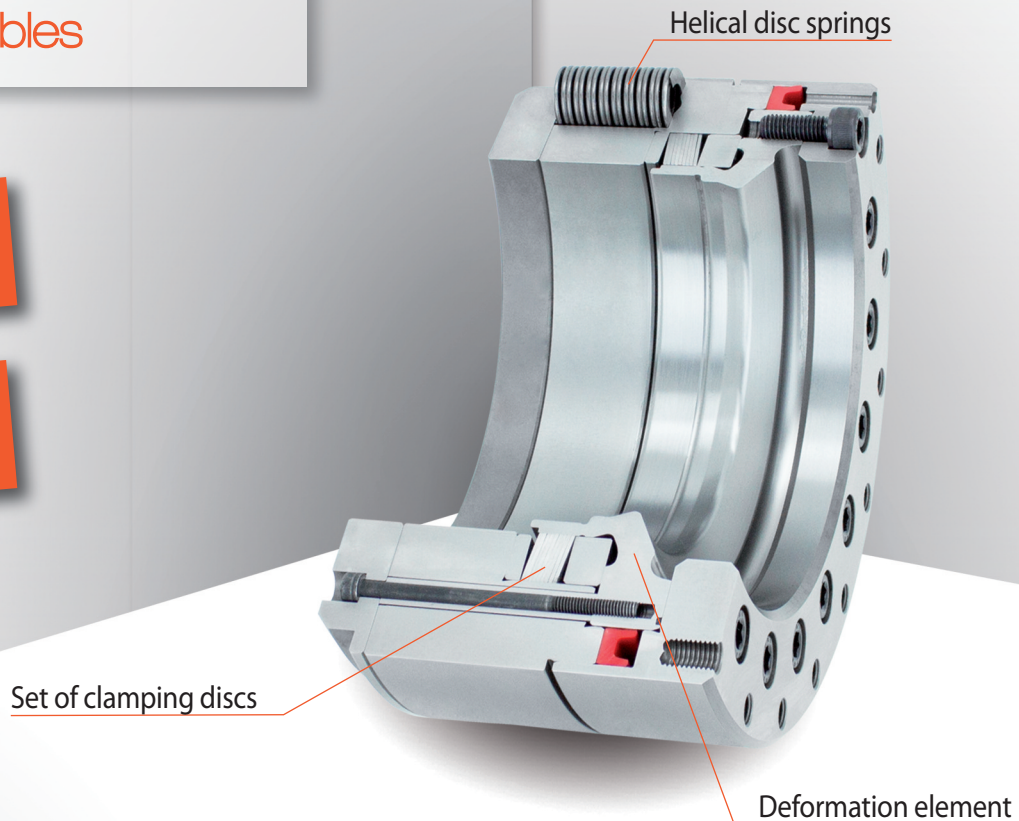


Clamping Clutch

for clamping of
rotary/swivel tables

Angle of twist
max. 0.007 degrees

Transmissible torque
up to 2 400 Nm



Your benefit

- >> Exact holding of positioned angle
- >> High torsional stiffness
- >> Clamping by spring force
 - >> Release by hydraulic pressure
- >> Space-saving installation, preferably in torque motors
- >> Tested leakage safety, accuracy and torque capacity in over 1 million clamping processes