



46-1

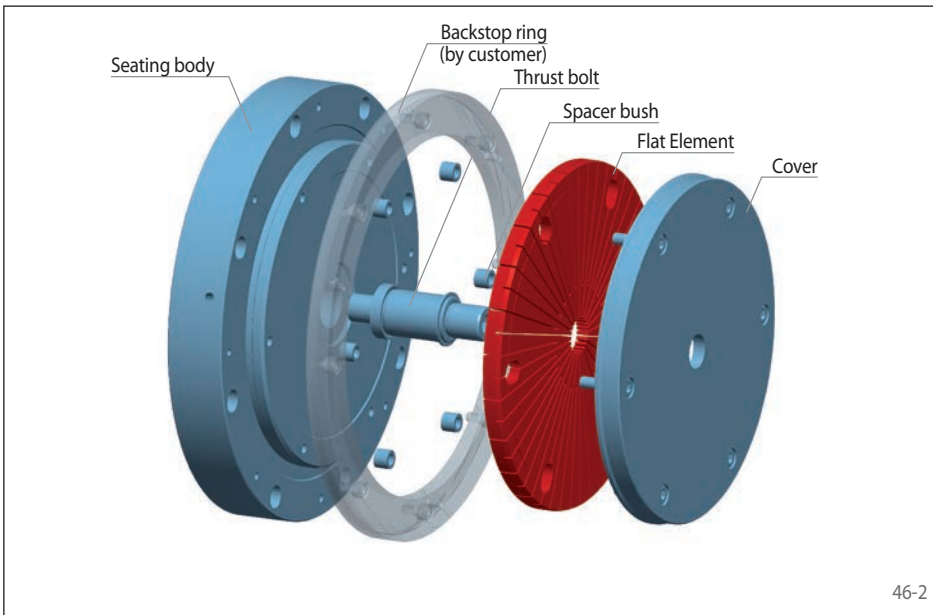
Features

- For clamping diameters from 120 mm to 375 mm
- High true running accuracy $\leq 0,01$ mm
- Permissible component tolerance up to IT11
- Very short clamping fixture length
- Short clamping length
- Pull-back against external backstop surface or external backstop ring by the customer
- Hand clamping optional possible
- Rubberized slots in the Flat Element

Configuration

The Flat Element Flange Mandrel consists of a seating body, a thrust bolt, a set of spacer bushes, a Flat Element and a cover. An assembly for hand clamping is optionally available. The Flat Element Flange Mandrel is attached with the seating body to the machine. The Clamping Fixture is actuated by the thrust bolt, which is connected to the machine power actuating unit.

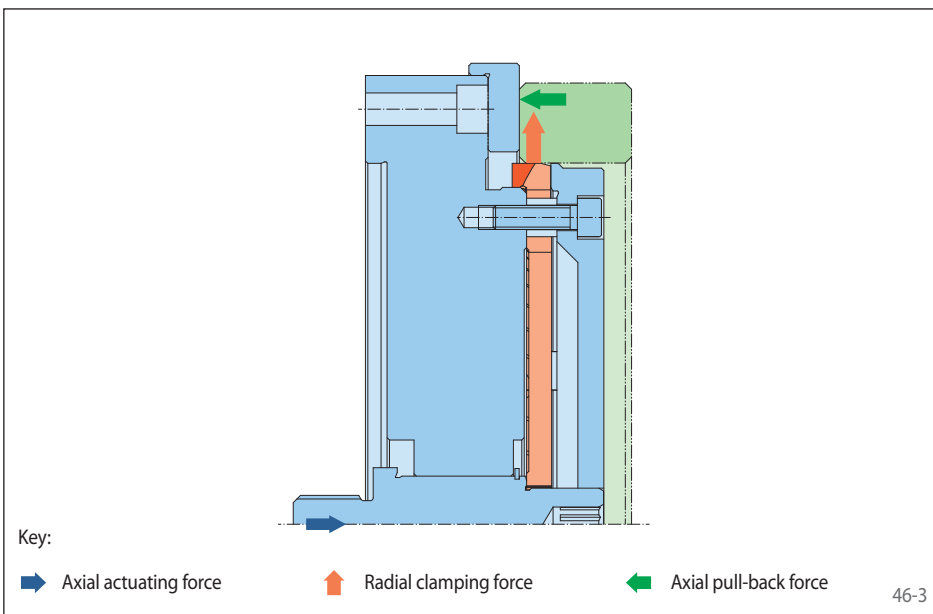
Intermediate Flanges and Spring Force Actuators are shown starting on page 58.



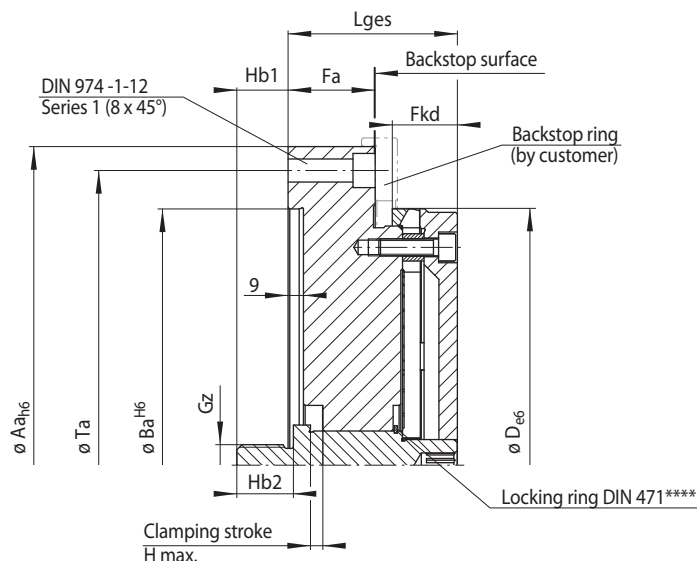
46-2

Clamping principle

The Flat Element sits pre-loaded on the seating diameter of the seating body. For clamping, the Flat Element is elastically deformed by an axial actuating force. The component is centred, pressed against the backstop and aligned flush.



46-3



47-1

Size	Achievable clamping diameter	Maximum diameter change**	Max. transmissible torque***	Max. actuating force***	Aa	Ba	Fa	Fkd	Gz	H max.	Hb1	Hb2	Lges	Ta
	D* mm	Δ D mm	M Nm	F N	mm	mm	mm	mm		mm	mm	mm	mm	mm
KFDF 110	120 - 130	0,28	620	13700	200	125	32	23	M 16	3,4	16,5	22	63,1	175
KFDF 120	130 - 145	0,30	760	13700	200	125	32	23	M 16	3,8	16,5	22	63,1	175
KFDF 130	145 - 155	0,30	1230	19600	200	125	40	27	M 20	4,0	21,0	26	75,1	175
KFDF 140	155 - 170	0,34	1350	19600	250	175	40	27	M 20	4,5	21,0	26	75,1	225
KFDF 155	170 - 185	0,37	1500	19600	250	175	40	29	M 20	5,1	21,0	26	77,1	225
KFDF 170	185 - 200	0,43	1600	19600	250	175	40	29	M 20	5,8	21,0	26	77,1	225
KFDF 185	200 - 220	0,47	1800	19600	275	200	40	29	M 20	6,4	21,0	26	77,1	250
KFDF 200	220 - 240	0,50	2850	29400	315	240	51	34	M 24	6,7	30,0	30	95,1	280
KFDF 220	240 - 260	0,57	3150	29400	315	240	51	34	M 24	7,8	30,0	30	95,1	280
KFDF 240	260 - 280	0,64	3450	29400	375	300	51	34	M 24	8,5	30,0	30	95,1	345
KFDF 260	280 - 300	0,70	3700	29400	375	300	51	34	M 24	9,4	30,0	30	95,1	345
KFDF 280	300 - 325	0,75	4100	29400	375	300	51	38	M 24	10,2	30,0	30	99,1	345
KFDF 300	325 - 350	0,80	4500	29400	400	350	51	38	M 24	11,3	30,0	30	99,1	375
KFDF 325	350 - 375	0,80	5300	29400	425	375	51	40	M 24	12,5	30,0	30	100,6	400

* Clamping diameter adjustable to two places after the decimal point • ** of the clamping diameter of the Clamping Element. • *** for clamping with pull-back action.
 **** The locking ring prevents loss of the pressure bolt during transport and storage of the Clamping Fixture. It must be removed prior to installation and commissioning.

Example for ordering

Please indicate the size of the Clamping Fixture and the clamping diameter of your component, including component tolerance, in your order:

Size: KFDF 120
 Clamping diameter: 140,47 mm
 Component tolerance: H7

➔ KFDF 120-140,47H7