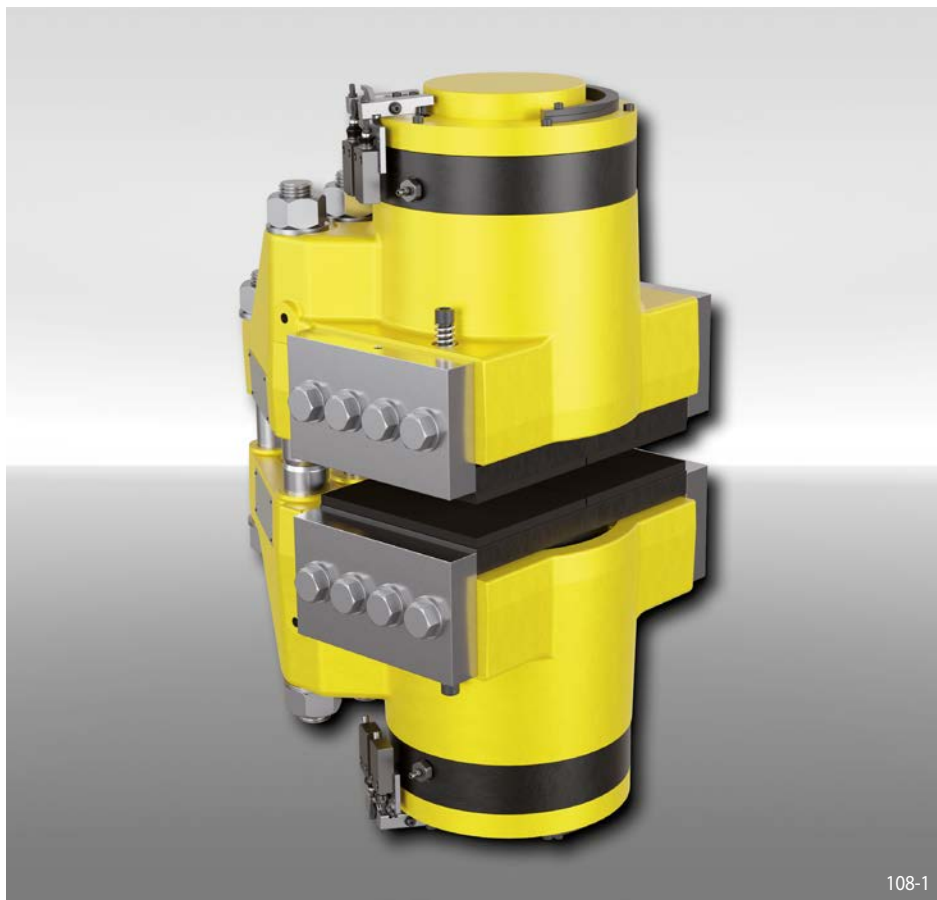


Brake Caliper HW 165 FHM

spring activated – hydraulically released



Features	Code
Brake Caliper	H
Standard	W
Frame size 165	165
Spring activated	F
Hydraulically released	H
Manual adjustment to accommodate friction block wear	M
Max. clamping force 420 kN	420

Example for ordering

Brake Caliper HW 165 FHM, max. clamping force 420 kN:

HW 165 FHM-420

Technical Data

Brake disc diameter mm	Braking torque Nm
800	97 700
1 000	131 000
1 250	172 700
1 600	231 000
2 000	297 700
3 000	464 300
3 500	547 700
4 000	631 000
Clamping force	420 kN
Oil pressure	min. 230 bar max. 250 bar
Oil volume	max. 120 cm ³
Thickness of brake disc W	min. 30 mm
Weight	425 kg

The braking torques shown in the table are based on a theoretical friction coefficient of 0,4.

Working conditions

- Ambient temperature: -20 °C / +60 °C
- Air humidity: <90%

Monitoring switch

- 240 VAC 1.5 A; 250 VDC 0.1 A
- Cable 5 x 0.75 mm², length 2 m, outer diameter 7.5 mm
- Protection type IP67

Options

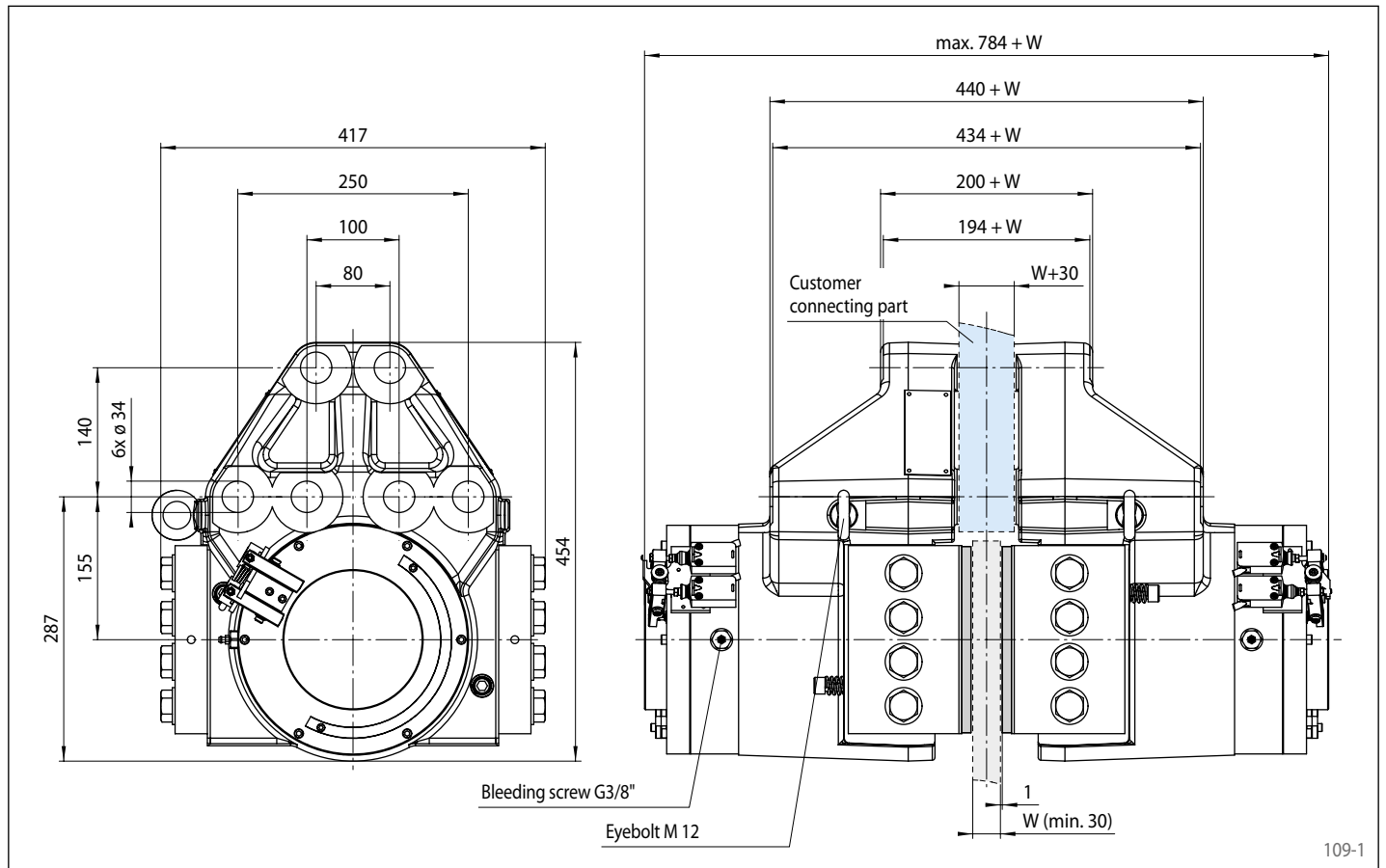
- Friction pads with wear indicator cables or sintered friction linings (for high temperatures)
- Corrosion-protected version
- Low temperature version
- Offshore certifications
- ATEX certifications for hazardous areas

Notes

- Includes two pairs of $\varnothing 46_{g6}$ shear pins
- Eyebolts included
- Fastening:
6 screws M 33, , class 10.9 with tightening torque 1 950 Nm $\pm 5\%$ μ 0.10 (not supplied)

Brake Caliper HW 165 FHM

spring activated – hydraulically released



109-1

Mounting

