

Brake Caliper DV 020 FPM

spring activated – pneumatically released



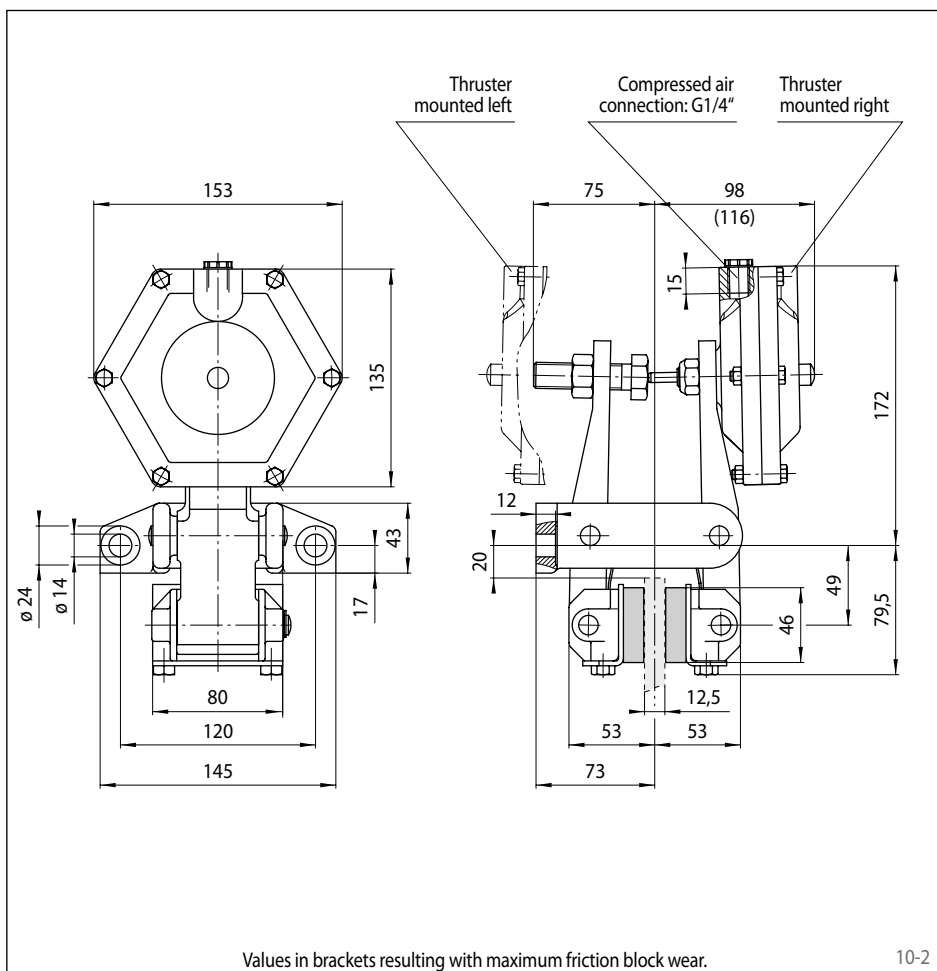
Features

| Features | Code |
|--|-------------------|
| Brake Caliper | D |
| Mounting to the machine parallel to the brake disc | V |
| Frame size 020 | 020 |
| Spring activated | F |
| Pneumatically released | P |
| Manual adjustment to accommodate friction block wear | M |
| Thrusters 020, 030 or 040 are available | 020 030 040 |
| Thruster mounted right or left available | R L |
| Thickness of brake disc 12,5 mm | 12 |

Example for ordering

Brake Caliper DV 020 FPM, thruster 020, thruster mounted right, thickness of brake disc 12,5 mm:

DV 020 FPM - 020 R - 12



Technical Data

| Brake disc diameter | Brake Caliper DV 020 FPM | | |
|---------------------------|----------------------------|----------------------------|--------------------------|
| | with thruster 020 | with thruster 030 | with thruster 040 |
| mm | Braking torque Nm | Braking torque Nm | Braking torque Nm |
| 200 | 97 | 130 | 200 |
| 250 | 130 | 180 | 270 |
| 300 | 170 | 220 | 340 |
| 355 | 200 | 270 | 420 |
| 430 | 250 | 340 | 520 |
| 520 | 310 | 430 | 650 |
| Clamping force | 1700 N | 2300 N | 3500 N |
| Air pressure | min. 2,6 bar max. 7 bar | min. 3,5 bar max. 7 bar | min. 5 bar max. 7 bar |
| Air volume per activation | max. 17 cm ³ | max. 17 cm ³ | max. 17 cm ³ |
| Weight | 5,2 kg | 5,2 kg | 5,2 kg |

The braking torques shown in the table are based on a theoretical friction coefficient of 0,4.