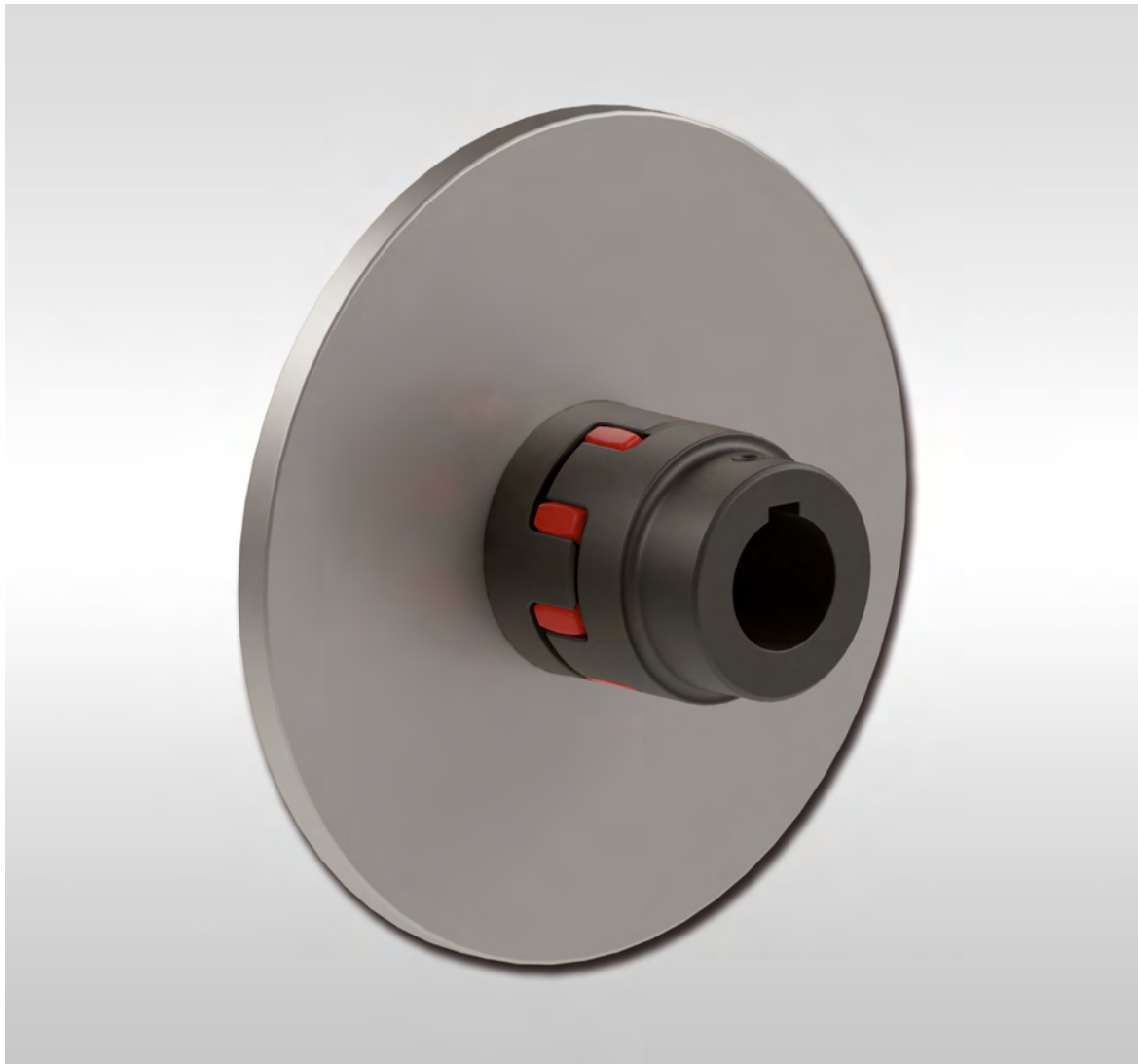


Jaw Couplings REK ... DCS

elastic for dynamic applications
with curved jaws and brake disc



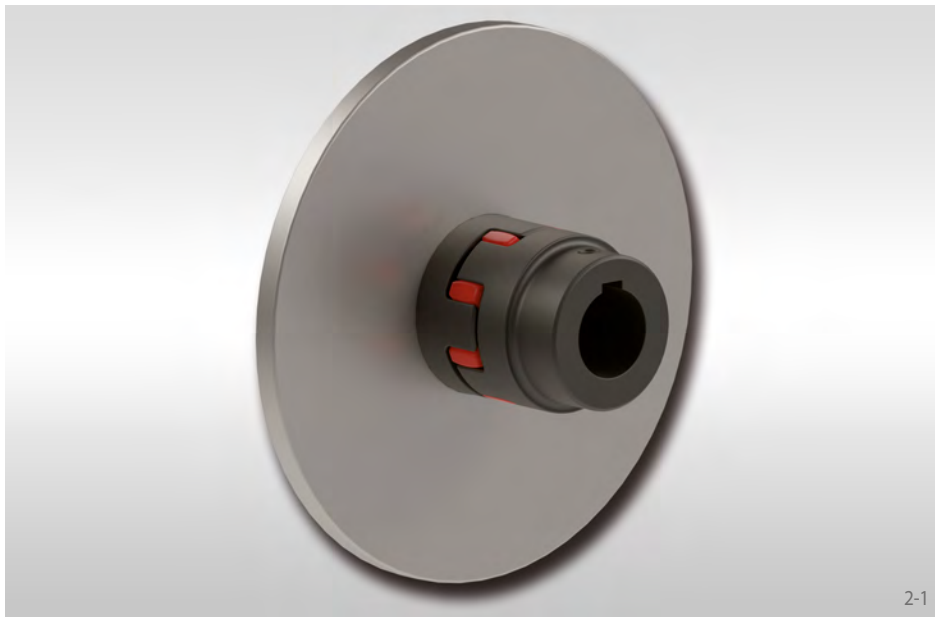
Issue 03/2023 · Technical details subject to change without notice.

E06.403e



Jaw Couplings REK ... DCS

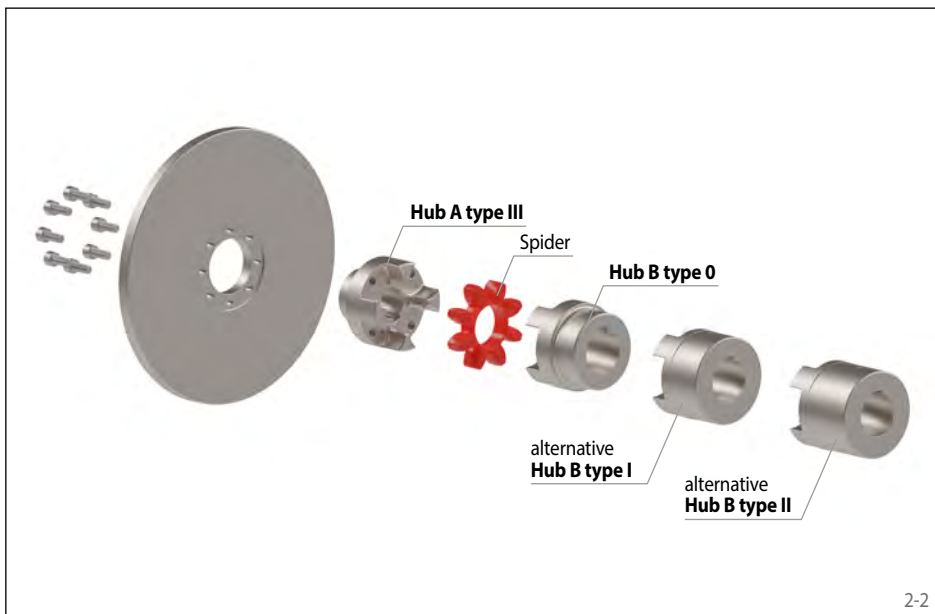
elastic for dynamic applications
with curved jaws and brake disc



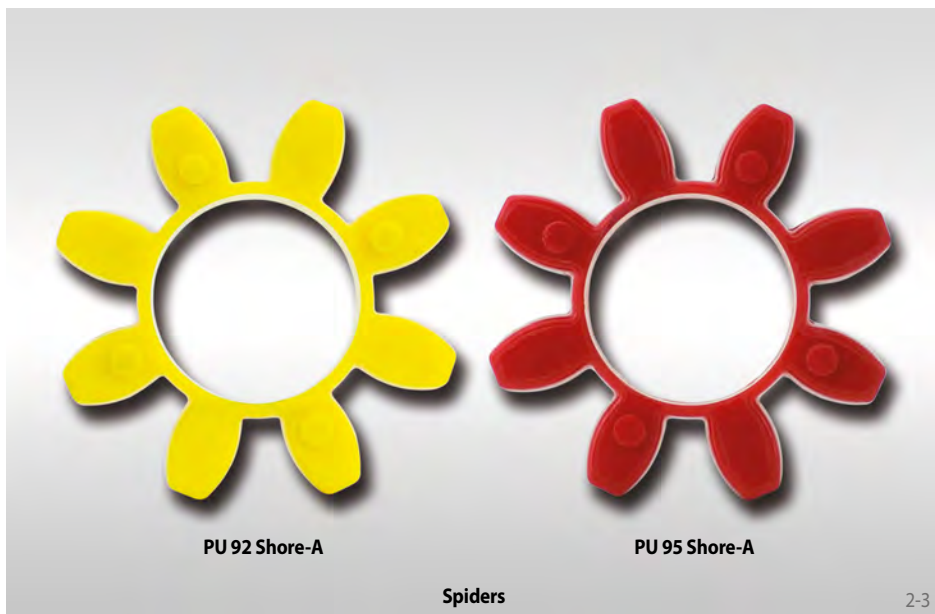
2-1

Features

- Compensation of axial, radial and angular misalignments
- Coupling and brake discs matched to RINGSPANN brake systems
- Adsorbs vibrations
- Fail-safe in the event of the failure of the spider
- Maintenance free, no lubrication necessary
- Blind assembly possible
- Symmetrical design allows for high running speeds without additional balancing
- Typical application: Ventilator drives, crane trolleys, machine tools, conveyor belts



2-2



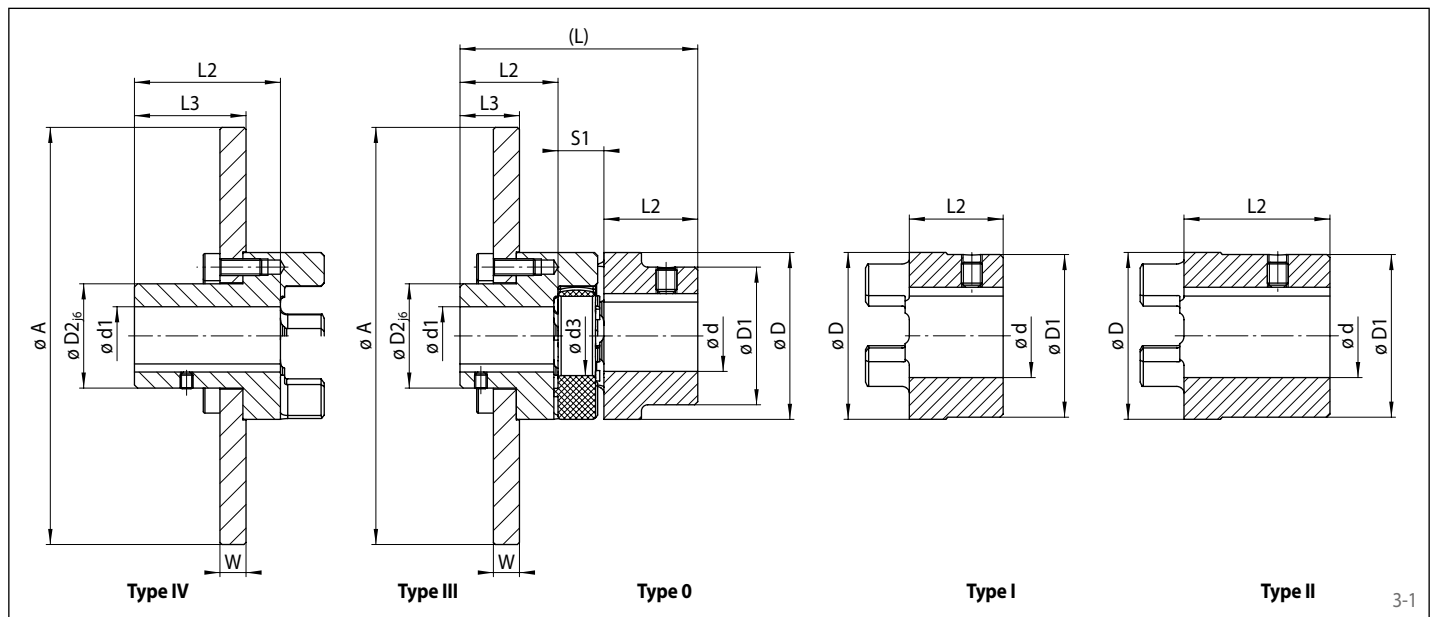
2-3

Order example

Order example	Code
Coupling design	REK
Coupling size	0038
Type	DCS
Material of the hub:	
• Steel	STA
• Cast iron	GJL
Hub A, type:	
• III, with brake disc, standard	3
• IV, with brake disc, extended	4
Hub A, design:	
• finish bored with keyway	FB
• roughbored	VA
Bore diameter hub A	028
Hub B, type:	
• 0, standard	0
• I, increased max. bore	1
• II, extended, increased max. bore	2
Hub B, design:	
• finish bored with keyway	FB
• roughbored	VA
Bore diameter hub B	028
Spiders:	
• PU 92 Shore-A	PU92
• PU 95 Shore-A	PU95
Brake disc size and material*:	S0AA
Steel, 200 x 12,5 mm	
REK 0038 DCS-STA-3FB028-0FB028-PU92-S0AA	

* see table "Brake discs and ordering code"

elastic for dynamic applications
with curved jaws and brake disc



Coupling size*	Max. speed n_{max} min ⁻¹	Pilot bore d/d1 mm	Min. bore d/d1 mm	Max. bore d		d3 mm	D mm	D1		D2 mm	L2		L3		S1 min. mm	Permissible misalignments			
				Hub type 0 mm	Hub type I + II mm			Hub type III + IV (with brake disc) mm	Hub type 0 mm		Hub type I + II mm	Hub type III + IV mm	Hub type 0 / I / III mm	Hub type II + IV mm		Hub type III mm	Hub type IV mm	Axial mm	Radial mm
0038	9500	10	12	40	48	34	38	80	66	78	50	45	70	39,5	64,5	24	2,2	0,25	0,9
0042	8000	12	14	45	55	42	46	95	75	94	60	50	75	42,5	67,5	26	2,3	0,30	0,9
0048	7200	13	15	52	62	48	51	105	85	104	68	56	80	47,5	71,5	28	3,0	0,35	1,0
0055	6350	18	20	60	74	55	60	120	98	118	78	65	90	53,5	79,5	30	3,0	0,35	1,0
0065	5650	20	22	70	80	65	68	135	115	133	92	75	100	62,5	87,5	35	3,5	0,40	1,0
0075	4750	28	30	80	95	75	80	160	135	158	106	85	110	70,5	85,5	40	3,5	0,45	1,1
0090	3800	38	40	97	110	100	100	200	160	198	140	100	125	82,5	107,5	45	4,5	0,50	1,1

* Design of the hub in steel

Brake discs and ordering code

Material	$\phi A \times W$ mm	Max. speed n_{max} min ⁻¹	Coupling size								
			0038	0042	0048	0055	0065	0075	0090		
Steel	200 x 12,5	9100	S0AA								
	250 x 12,5	7300	SOBA	SOBA	SOBA						
	250 x 20	7300			SOBC*						
	315 x 16	5700		S0DB	S0DB	S0DB	S0DB	S0DB			
	315 x 20	5700				S0DC*					
	355 x 30	5100					SOEE*				
	400 x 16	4500			S0FB	S0FB	S0FB	S0FB	S0FB	S0FB	
	400 x 30	4500					S0FE	S0FE	S0FE	S0FE	
	450 x 30	4000						S0HE	S0HE	S0HE	
	500 x 16	3600				S0IB	S0IB	S0IB	S0IB	S0IB	
	500 x 30	3600						S0IE	S0IE	S0IE	
	560 x 30	3200								S0KE*	
	630 x 20	2900						S0LC	S0LC	S0LC	
	710 x 20	2600						S0MC	S0MC	S0MC	
800 x 25	2300									S0ND*	
Nodular cast iron GGG 50	200 x 12,5	9100	G0AA								
	250 x 12,5	7300	G0BA	G0BA	G0BA						
	300 x 12,5	6000		G0CA	G0CA	G0CA	G0CA				
	355 x 12,5	5100		G0EA	G0EA	G0EA	G0EA	G0EA			
	430 x 12,5	4200				G0GA	G0GA	G0GA	G0GA	G0GA	
	520 x 12,5	3500				G0JA	G0JA	G0JA	G0JA	G0JA	
	630 x 25	2900							G0LD	G0LD	
	710 x 25	2600							G0MD	G0MD	
800 x 25	2300								G0ND		

* Brake disc sizes on request

Spiders



4-1



4-2

Spider PU 92 Shore-A

Material: Polyurethane
 Hardness: 92 ±2 Shore-A
 Temperature range: -30 °C to +80 °C
 Colour: yellow

Spider PU 95 Shore-A

Material: Polyurethane
 Hardness: 95 ±2 Shore-A
 Temperature range: -30 °C to +90 °C
 Colour: red

Coupling size	Nominal torque T_{KN} Nm	Nominal power at 100 min^{-1} P_{K100} kW	Max. torque $T_{K \max}$ Nm	Alternating torque T_{KW} Nm	Torsional stiffness $C_{T \text{ dyn}}$ Nm/rad x 10^3			Relative damping ψ at 0,5 T_{KN}
					1,0 T_{KN}	0,5 T_{KN}	0,25 T_{KN}	
0019	9,6	0,1	19	2,5	0,5	0,4	0,2	0,9
0024	33	0,3	69	8,9	2,0	1,3	0,9	
0028	91	1,0	186	24	5,1	3,4	2,3	
0038	181	1,9	372	48	10,2	6,7	4,6	
0042	253	2,6	510	67	14,4	9,4	6,5	
0048	296	3,1	600	79	16,6	10,9	7,5	
0055	392	4,1	800	105	22,9	15,0	10,4	
0065	590	6,3	1220	160	26,0	19,3	13,9	
0075	1220	12,8	2500	326	54,4	40,4	29,0	
0090	2290	24,0	4700	610	86,7	64,0	47,0	

Coupling size	Nominal torque T_{KN} Nm	Nominal power at 100 min^{-1} P_{K100} kW	Max. torque $T_{K \max}$ Nm	Alternating torque T_{KW} Nm	Torsional stiffness $C_{T \text{ dyn}}$ Nm/rad x 10^3			Relative damping ψ at 0,5 T_{KN}
					1,0 T_{KN}	0,5 T_{KN}	0,25 T_{KN}	
0019	16	0,2	32	4,2	1,3	0,9	0,6	0,9
0024	57	0,6	114	15,2	4,8	3,2	2,1	
0028	153	1,6	304	40,0	12,1	8,2	5,4	
0038	310	3,2	610	81,0	24,0	16,2	10,6	
0042	430	4,5	850	111	33,9	22,9	12,3	
0048	500	5,2	990	130	39,2	26,4	16,9	
0055	650	6,8	1300	169	53,9	36,4	25,3	
0065	890	9,4	1780	232	69,3	47,6	33,3	
0075	1830	19,2	3640	474	84,6	58,9	41,4	
0090	3430	36,0	6800	889	150,9	118,5	85,5	

Germany

RINGSPANN GmbH

Schaberweg 30-38, 61348 Bad Homburg, Germany
+49 6172 2750
info@ringspann.de • www.ringspann.de

RINGSPANN RCS GmbH

Hans-Mess-Straße 7, 61440 Oberursel, Germany
+49 6172 67 68 50
info@ringspann-rcs.de • www.ringspann-rcs.de

France

SIAM - RINGSPANN S.A.

23 rue Saint-Simon, 69009 Lyon, France
+33 4 78 83 59 01
info@siam-ringspann.fr • www.ringspann.fr

Great Britain, Ireland

RINGSPANN (U.K.) LTD.

3, Napier Road, Bedford MK41 0QS, Great Britain
+44 1234 34 25 11
info@ringspann.co.uk • www.ringspann.co.uk

Italy

RINGSPANN Italia S.r.l.

Via A.D. Sacharov, 13, 20812 Limbiate (MB), Italy
+39 02 93 57 12 97
info@ringspann.it • www.ringspann.it

Netherlands, Belgium, Luxembourg

RINGSPANN Benelux B.V.

Nieuwenkampsmaten 6-15, 7472 DE Goor,
Netherlands • +31 547 26 13 55
info@ringspann.nl • www.ringspann.nl

Austria, Hungary, Slovenia

RINGSPANN Austria GmbH

Triesterstraße 21, 2620 Neunkirchen, Austria
+43 26 35 62446
info@ringspann.at • www.ringspann.at

Poland

Radius-Radpol Wiecheć Sp.J.
Ul. Pasjonatów 3, 62-070 Dąbrowa, Poland
+48 61 814 39 28 • info@radius-radpol.com.pl
www.radius-radpol.com.pl

Romania, Bulgaria, Moldova

S.C. Industrial Seals and Rolls S.R.L.
Str. Depozitelor, No. 29, 110078 Pitesti, Romania
+4 0751 22 82 28
mihai@isar.com.ro • www.isar.com.ro

Sweden, Finland, Denmark,
Norway, Baltic states**RINGSPANN Nordic AB**

Flottiljgatan 69, 721 31 Västerås, Sweden
+46 156 190 98
info@ringspann.se • www.ringspann.se

Switzerland

RINGSPANN AG

Sumpfstrasse 7, P.O. Box, 6303 Zug,
Switzerland • +41 41 748 09 00
info@ringspann.ch • www.ringspann.ch

Spain, Portugal

RINGSPANN IBERICA S.A.

C/Uzbina, 24-Nave E1, 01015 Vitoria, Spain
+34 945 22 77-50
info@ringspann.es • www.ringspann.es

Czech Republic, Slovakia

Ing. Petr Schejbal
Mezivřší 1444/27, 14700 Prag, Czech Republic
+420 222 96 90 22
Petr.Schejbal@ringspann.cz • www.ringspann.com

Ukraine

"START-UP" LLC.
Saltivske Hwy, 43, letter G-3, office 101,
Kharkiv 61038, Ukraine • +38 057 717 03 04
start-up@start-up.kh.ua • www.start-up.kh.ua

Asia

Australia, New Zealand

RINGSPANN Australia Pty Ltd

Unit 5, 13A Elite Way, Carrum Downs Vic 3201,
Australia • +61 3 9069 0566
info@ringspann.com.au • www.ringspann.com.au

China, Taiwan

RINGSPANN Power Transmission (Tianjin) Co., Ltd.

No. 21 Gaoyan Rd., Binhai Science and Technology
Park, Binhai Hi-Tech Industrial, Development Area,
Tianjin, 300458, P.R. China • +86 22 5980 31 60
info.cn@ringspann.cn • www.ringspann.cn

India, Bangladesh, Nepal

RINGSPANN Power Transmission India Pvt. Ltd.

GAT No: 679/2/1, Village Kuruli, Taluka Khed, Chakan-
Alandi Road, Pune - 410501, Maharashtra, India
+91 21 35 67 75 00 • info@ringspann-india.com
www.ringspann-india.com

Singapore, ASEAN

RINGSPANN Singapore Pte. Ltd.

143 Cecil Street, #17-03 GB Building,
Singapore 069542 • +65 9633 6692
info@ringspann.sg • www.ringspann.sg

South Korea

RINGSPANN Korea Ltd.

33 Gojae-17 Ghil Dongnam-gu, 31187 Cheonan-si
Chungnam, South Korea • +82 10 54961 368
info@ringspann.kr • www.ringspann.kr

America

Brazil

Antares Acoplamentos Ltda.
Rua Evaristo de Antoni, 1222, Caxias do Sul, RS,
CEP 95041-000, Brazil • +55 54 32 18 68 00
vendas@antaresacoplamentos.com.br
www.antaresacoplamentos.com.br

Chile, Peru, Colombia, Ecuador

RINGSPANN Sudamérica SpA

Miraflores 222, Piso 28-N, Santiago,
Región Metropolitana, Chile • +56 9 8414 4078
info@ringspannsudamerica.com
www.ringspannsudamerica.com

USA, Canada, Mexico

RINGSPANN Corporation

10550 Anderson Place, Franklin Park, IL 60131, USA
+1 847 678 35 81
info@ringspanncorp.com •
www.ringspanncorp.com

Africa and Middle East

Egypt

Shofree Trading Co.
218 Emtedad Ramsis 2, 2775 Nasr City, Cairo, Egypt
+20 2 20 81 20 57
info@shofree.com • www.ringspann.com

Israel

G.G. Yarom Rolling and Conveying Ltd.
6, Hamaktesh Str., 58810 Holon, Israel
+972 3 557 01 15
noam_a@gg.co.il • www.ringspann.com

South Africa, Sub-Saharan

RINGSPANN South Africa (Pty) Ltd.

96 Plane Road Spartan, Kempton Park,
P.O. Box 8111 Edenglen 1613, South Africa
+27 11 394 18 30
info@ringspann.co.za • www.ringspann.co.za

Iran

Persia Robot Machine Co. Ltd.
4th Floor, No 71, Mansour St, Motahari Avenue,
Tehran 15957, Iran • +98 21 8870 91 58-62
info@persiarobot.com • www.ringspann.com

Maghreb, West Africa

SIAM - RINGSPANN S.A.

23 rue Saint-Simon, 69009 Lyon, France
+33 4 78 83 59 01
info@siam-ringspann.fr • www.ringspann.fr